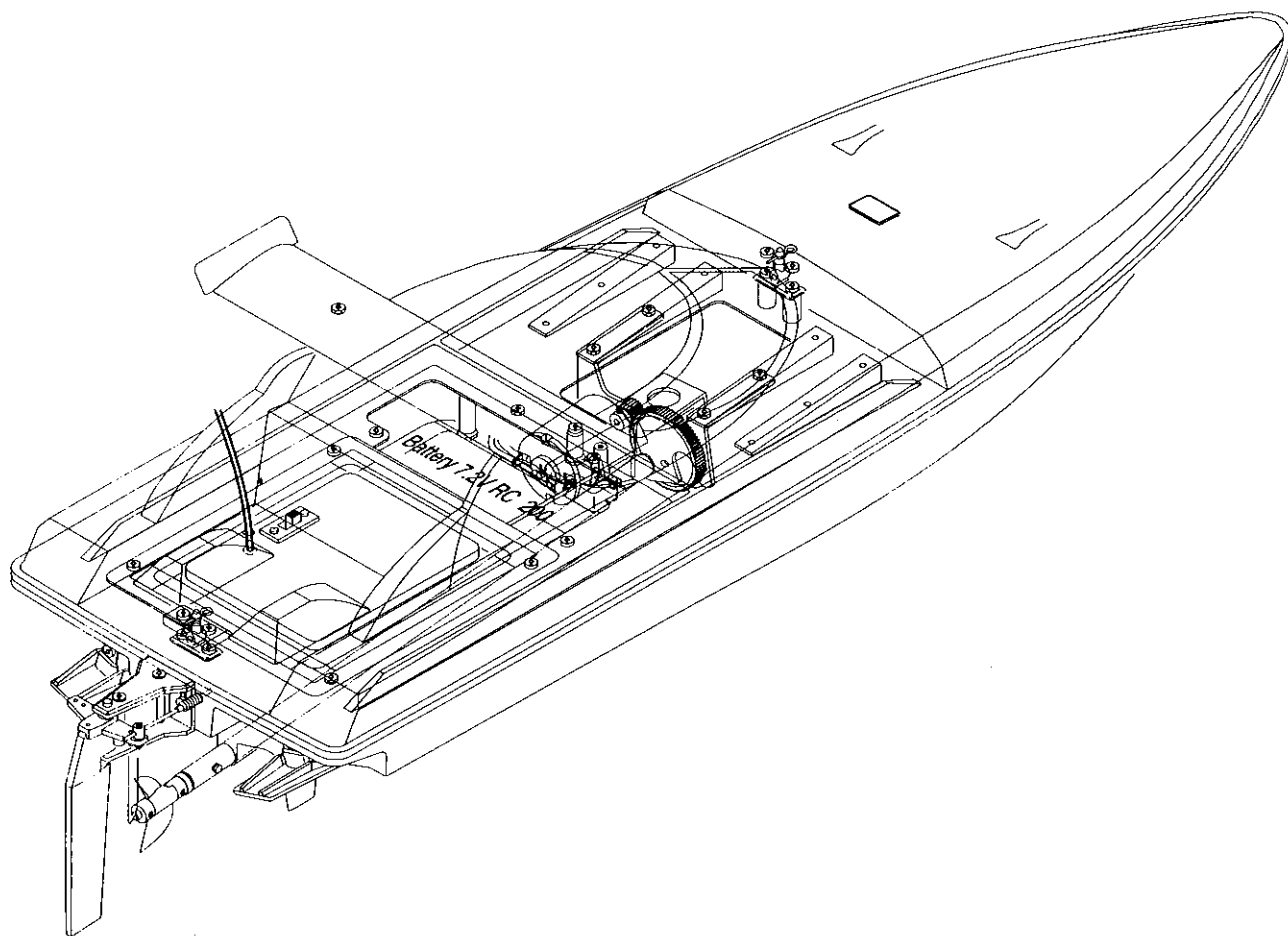


HIGH PERFORMANCE RACING CRUISER

ANDERSON

Assembly Instruction

Please fully understand for you to read this instruction well before use



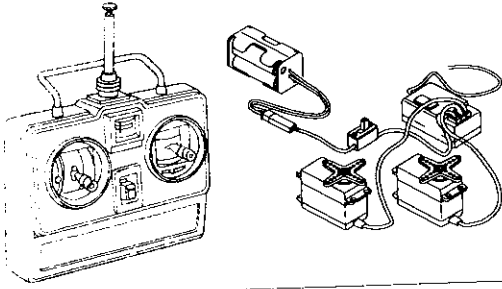
SERIES EP
SINTRA 700R EP

ANDERSON®

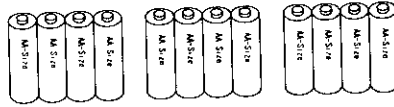
Made in Taiwan

★ Required for Operation

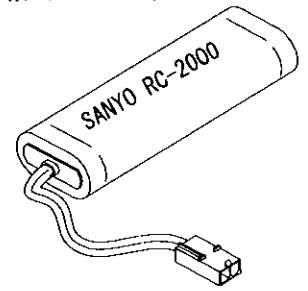
★ Radio Control Set-2Channel



★ AA-Size Batteries 12Pcs.



★ 7.2V Ni-Cd Battery & Charger

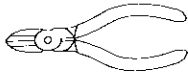


★ Tools Required

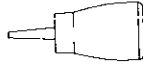
★ Long Nose Pliers



★ Wire Cutter



★ Instant Glue



★ Awl



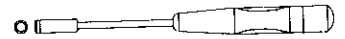
★ Modeling Knife



★ Phillips Screwdriver (L, M, S)



★ 2mm & 3mm Nut Driver



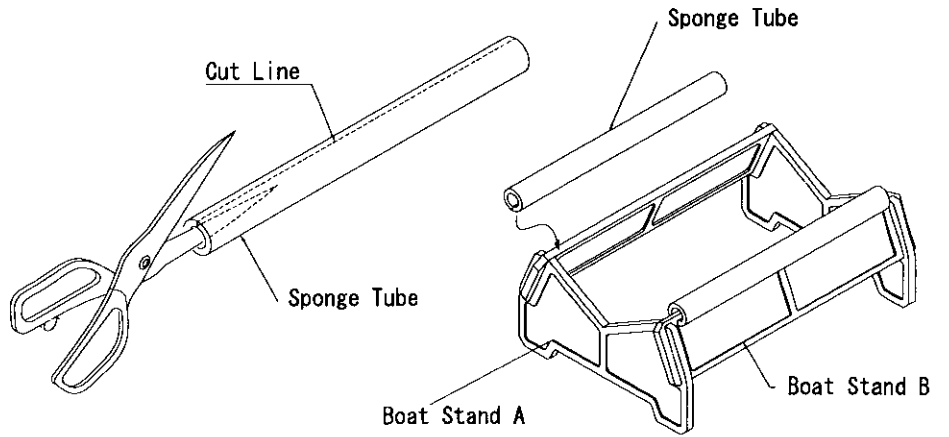
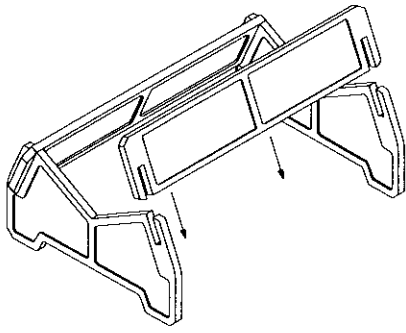
★ Small Scissors



★ Recommendations Important

1

船台
Boat Stand
Stander
Support
Soporte

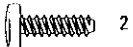


2

船体
Hull
Rumpf
Coque
Casco



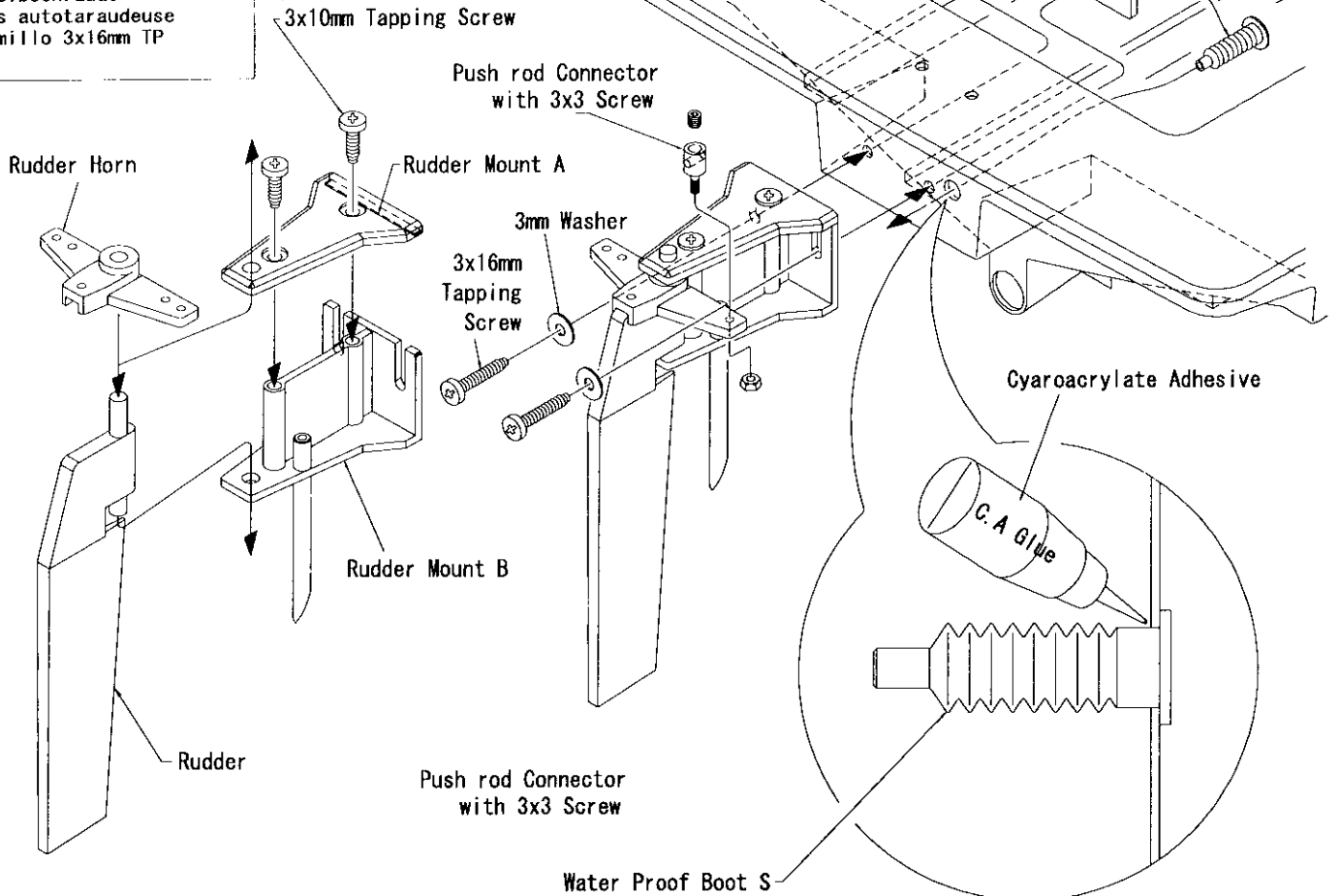
3mm ワッシャー
3mm Washer
Scheide
Rondelle
Arandela 3mm



2
3x10mm タッピングビス
Tapping Screw
Treibschraube
Vis autotaraudeuse
Tomillo 3x10mm TP



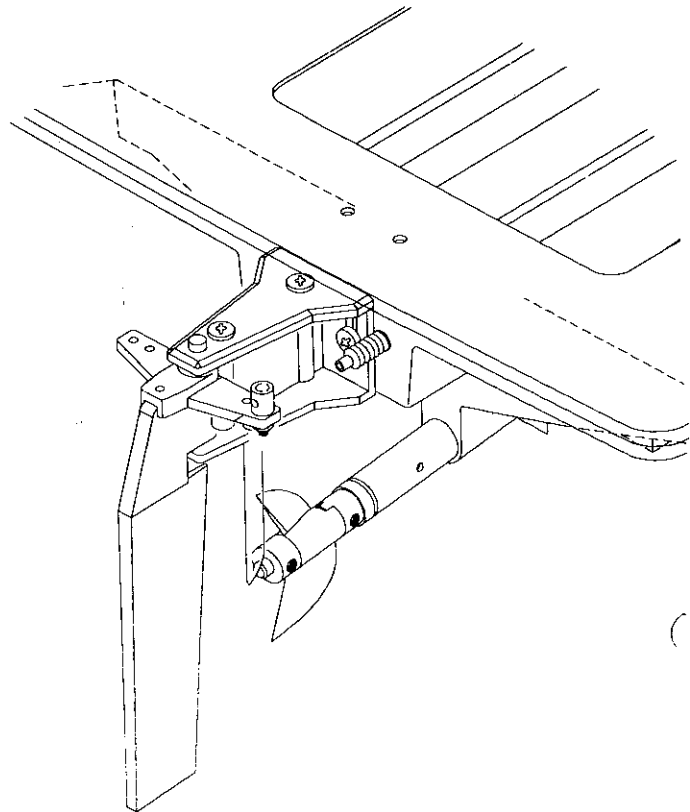
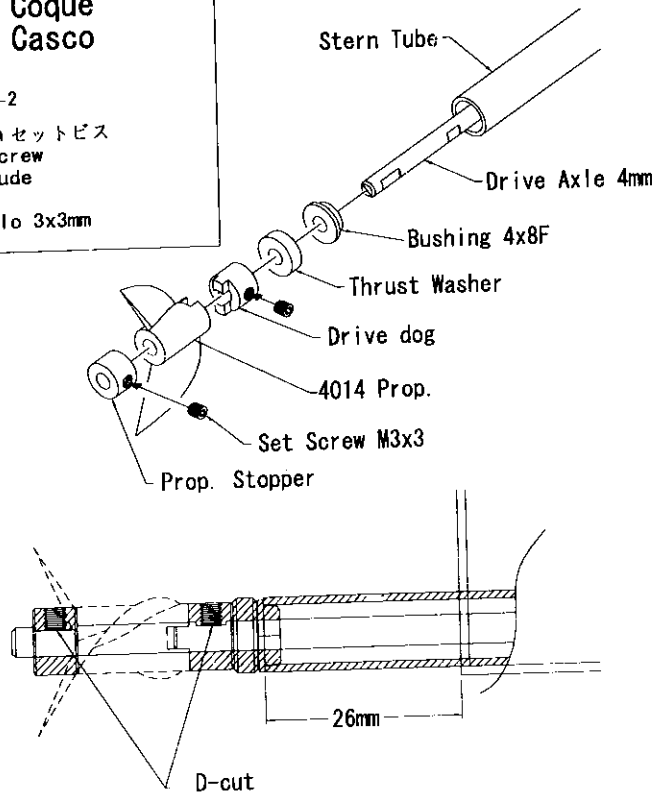
2
3x16mm タッピングビス
Tapping Screw
Treibschraube
Vis autotaraudeuse
Tomillo 3x16mm TP



3

船体
Hull
Rumpf
Coque
Casco

- — 2
3x3mm セットビス
Set Screw
Schraude
Vis
Tomillo 3x3mm

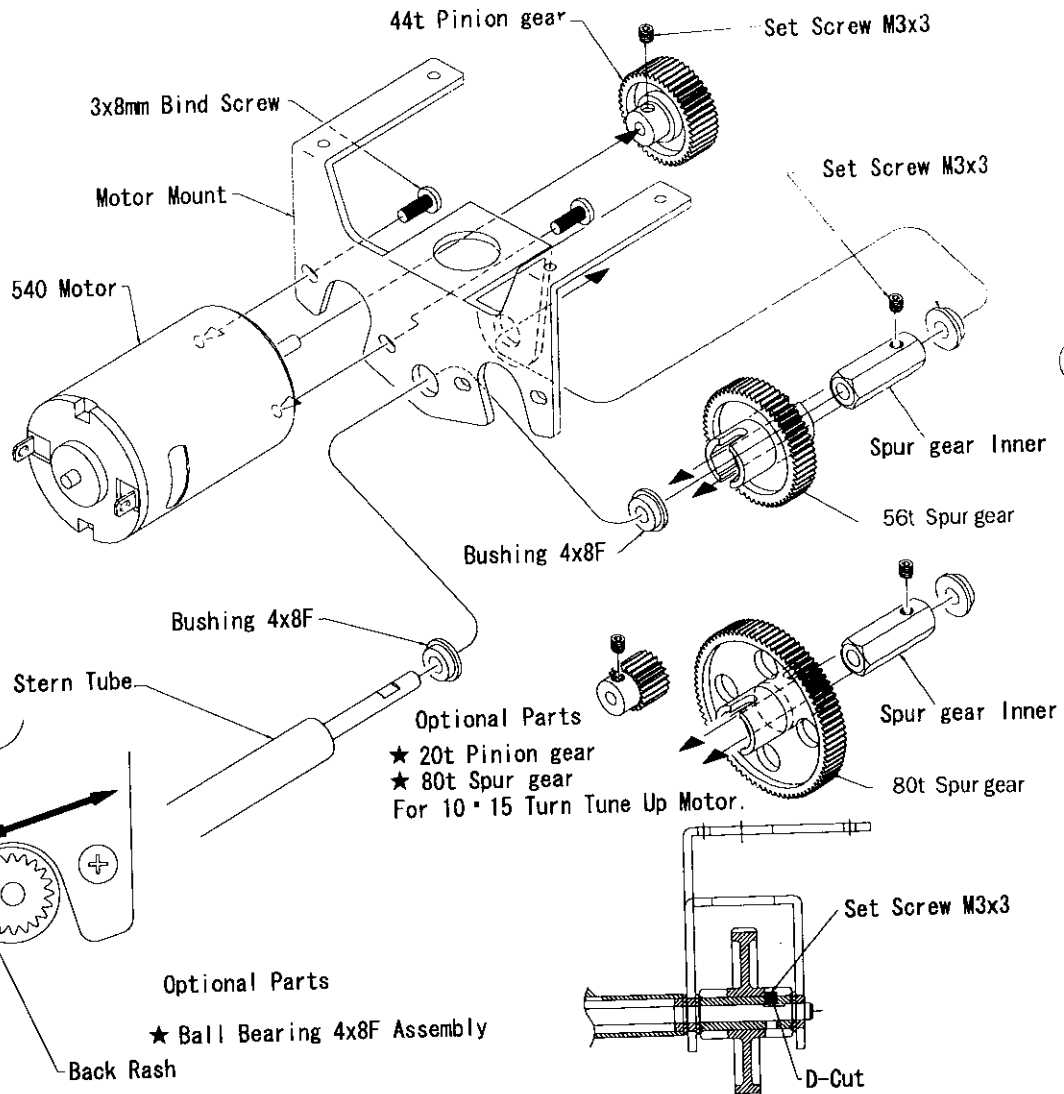


4

船体
Hull
Rumpf
Coque
Casco

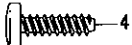
- — 2
3x8mm バインドビス
Bind Screw
Schraude
Vis
Tomillo 3x8mm

- — 2
3x3mm セットビス
Set Screw
Schraude
Vis
Tomillo 3x3mm

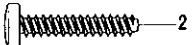


5

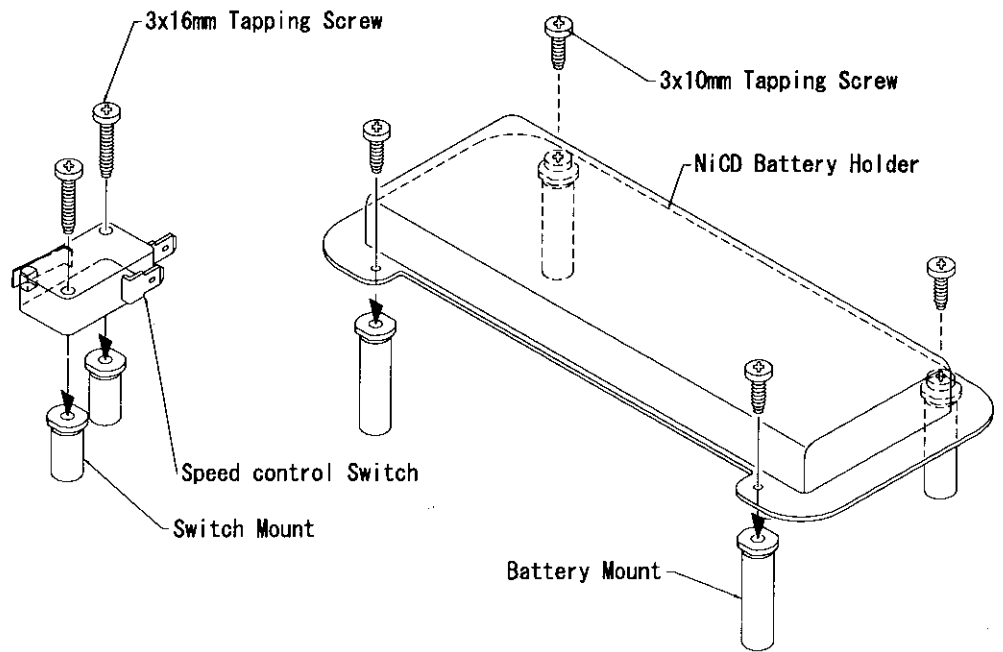
船体
Hull
Rumpf
Coque
Casco



4
3x10mm タッピングビス
Tapping Screw
Treibschraude
Vis autotaraudeuse
Tomillo 3x10mm TP

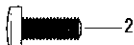


2
3x16mm タッピングビス
Tapping Screw
Treibschraude
Vis autotaraudeuse
Tomillo 3x16mm TP

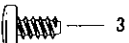


6

船体
Hull
Rumpf
Coque
Casco



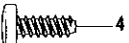
2
3x8mm バインドビス
Bind Screw
Schraude
Vis
Tomillo 3x8mm



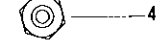
3
3x6mm タッピングビス
Tapping Screw
Treibschraude
Vis autotaraudeuse
Tomillo 3x6mm TP



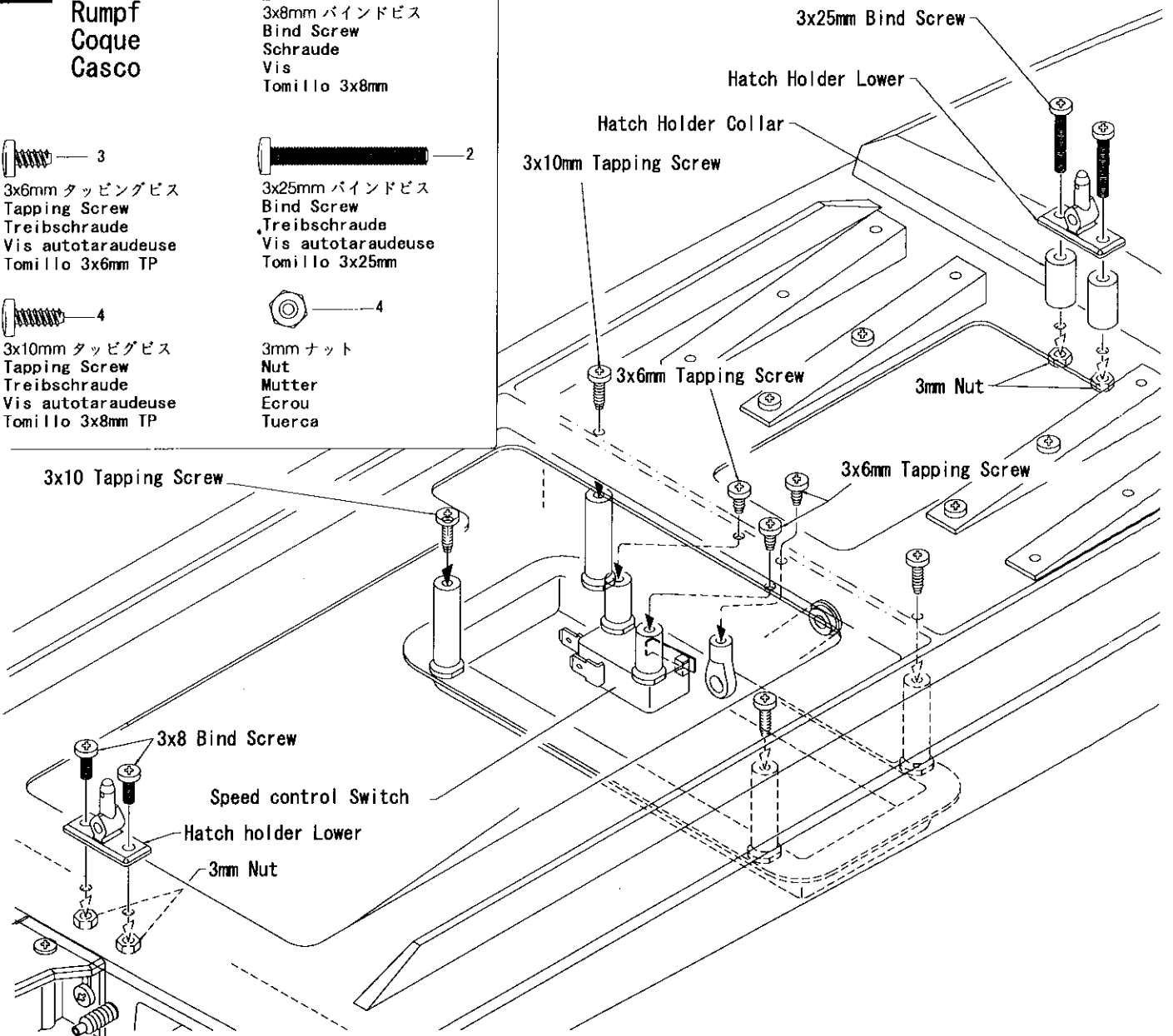
2
3x25mm バインドビス
Bind Screw
Treibschraude
Vis autotaraudeuse
Tomillo 3x25mm



4
3x10mm タッピングビス
Tapping Screw
Treibschraude
Vis autotaraudeuse
Tomillo 3x8mm TP



4
3mm ナット
Nut
Mutter
Ecroû
Tuerca

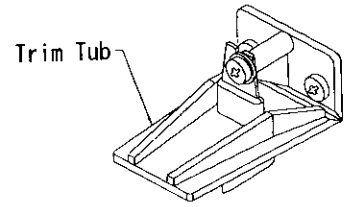
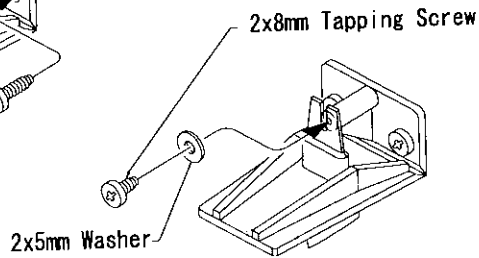
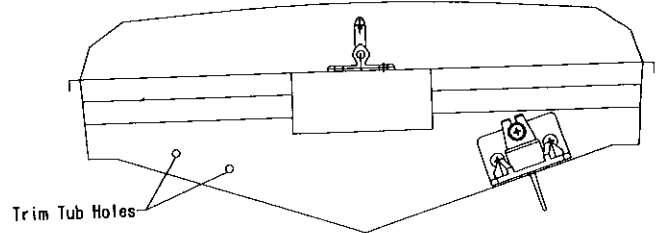
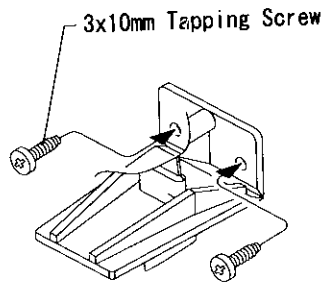


7 船台
Boat Stand
Stander
Support
Soporte

2
2x8mm タッピングビス
Tapping Screw
Treibschraude
Vis autotaraudeuse
Tomillo 2x8mm TP

2
2mm ワッシャー
Washer
Scheibe
Rondelle
Arandela 2mm

4
3x10mm タッピングビス
Tapping Screw
Treibschraude
Vis autotaraudeuse
Tomillo 3x10mm TP

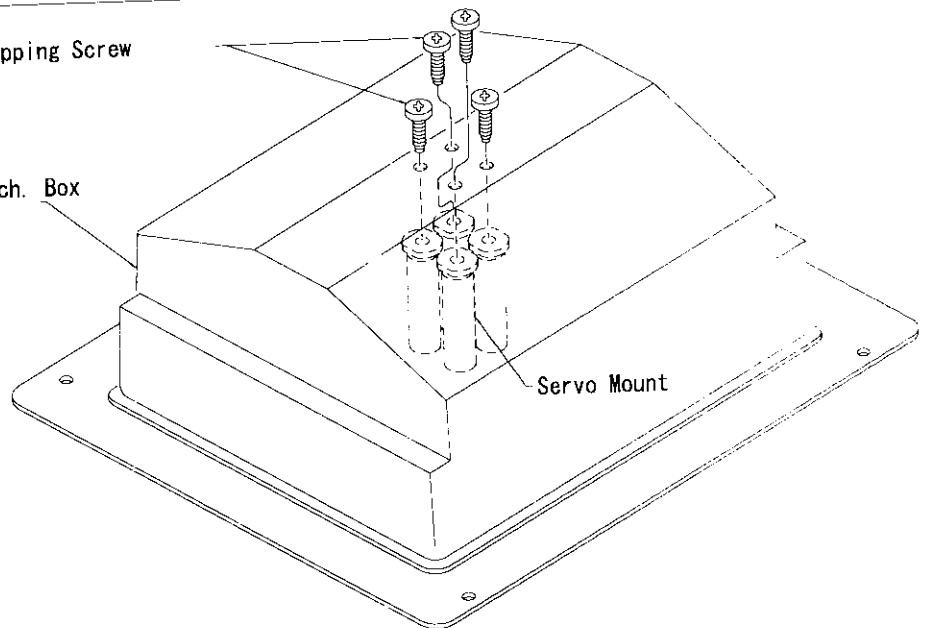


8 船体
Hull
Rumpf
Coque
Casco

12
3x10mm タッピングビス
Tapping Screw
Treibschraude
Vis autotaraudeuse
Tomillo 3x10mm TP

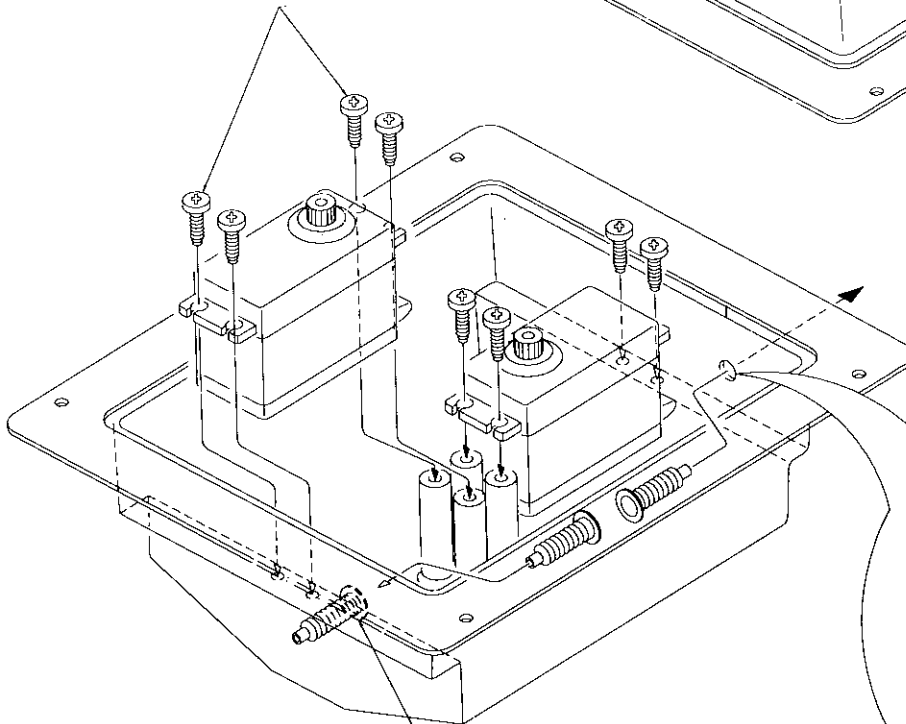
3x10mm Tapping Screw

R. C. Mech. Box



Servo Mount

3x10mm Tapping Screw



Cyanoacrylate Adhesive

C. A. Glue

Water Proof Boot S

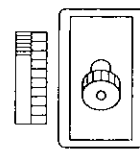
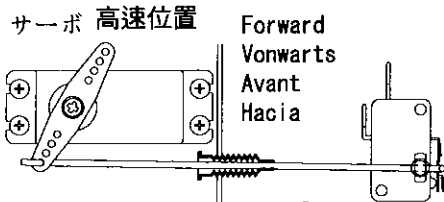
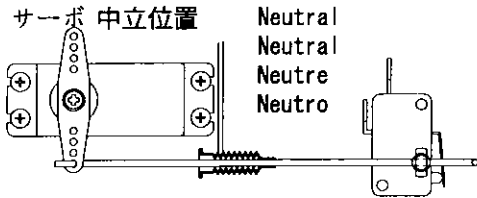
Water Proof Boot S

9

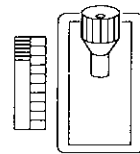
2ch プロポ
Radio
RC-Anlage
Radio
Equipo de radio



3x10mm タッピングビス
Tapping Screw
Treibschraube
Vis autotaraudeuse
Tomillo 3x10mm TP

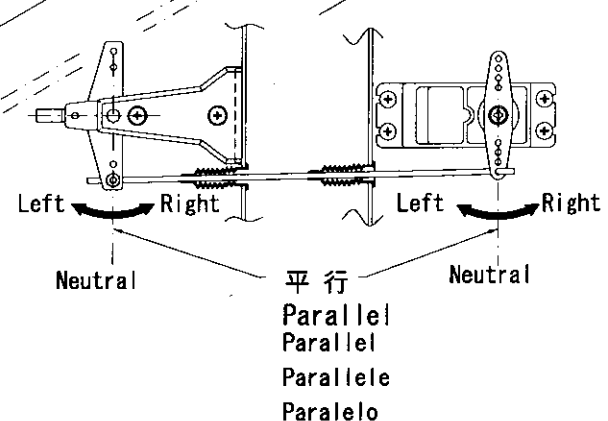
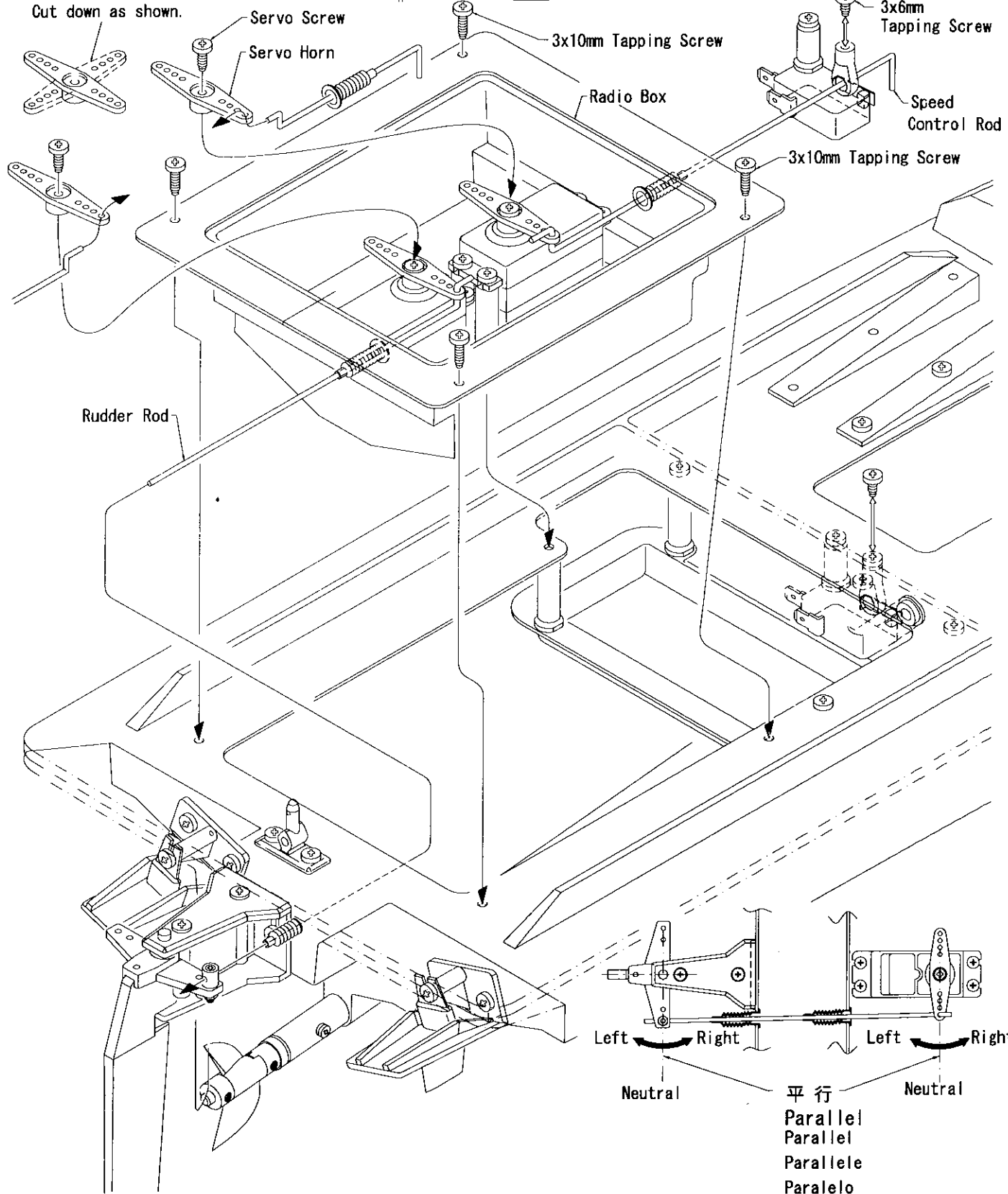


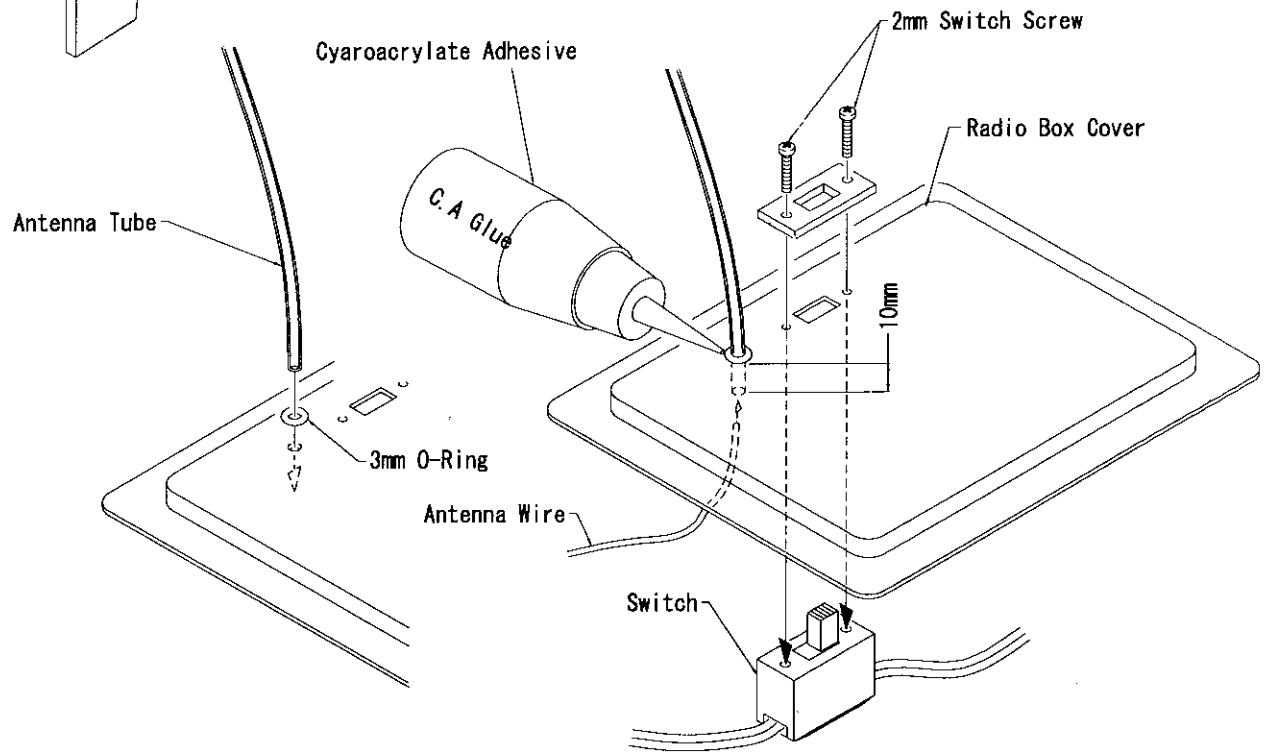
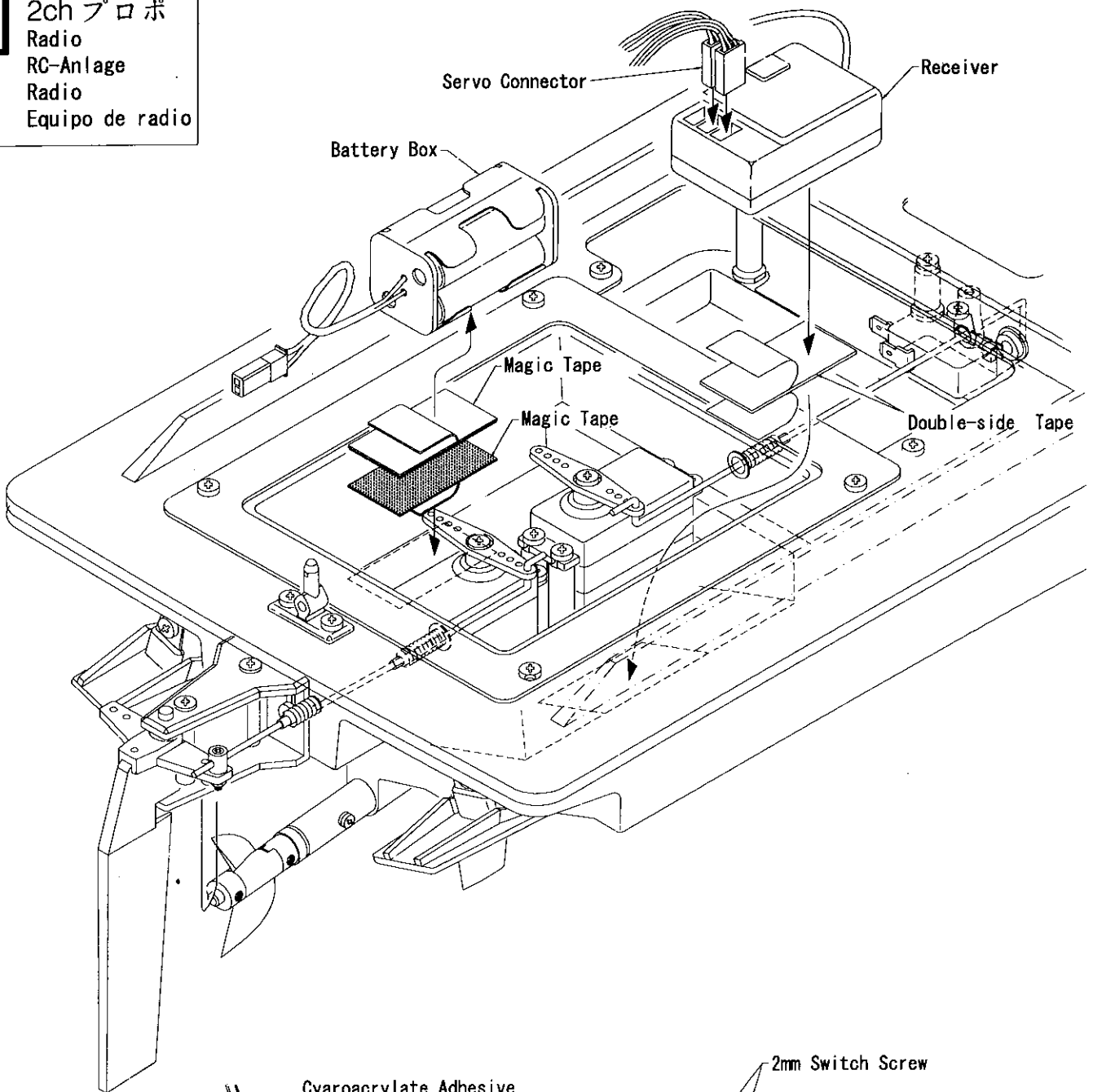
送信機中立位置
Neutral
Neutral
Neutre
Neutro



送信機高速位置
Forward
Vorwärts
Avant
Hacia

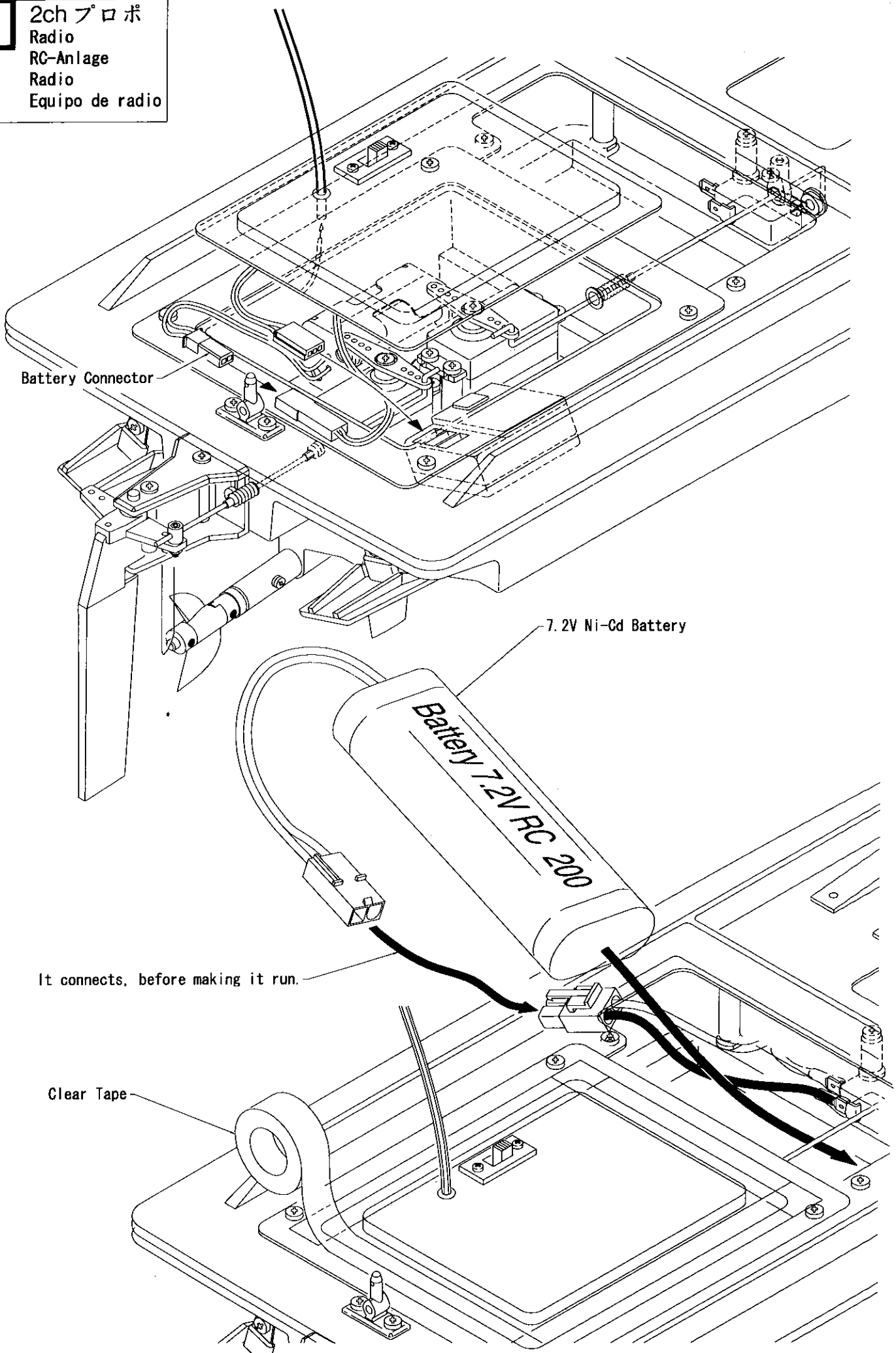
Cut down as shown.





11

2ch プロポ
Radio
RC-Anlage
Radio
Equipo de radio



Battery Connector

7.2V Ni-Cd Battery

It connects, before making it run.

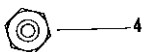
Clear Tape

12

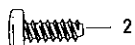
船体
Hull
Rumpf
Coque
Casco



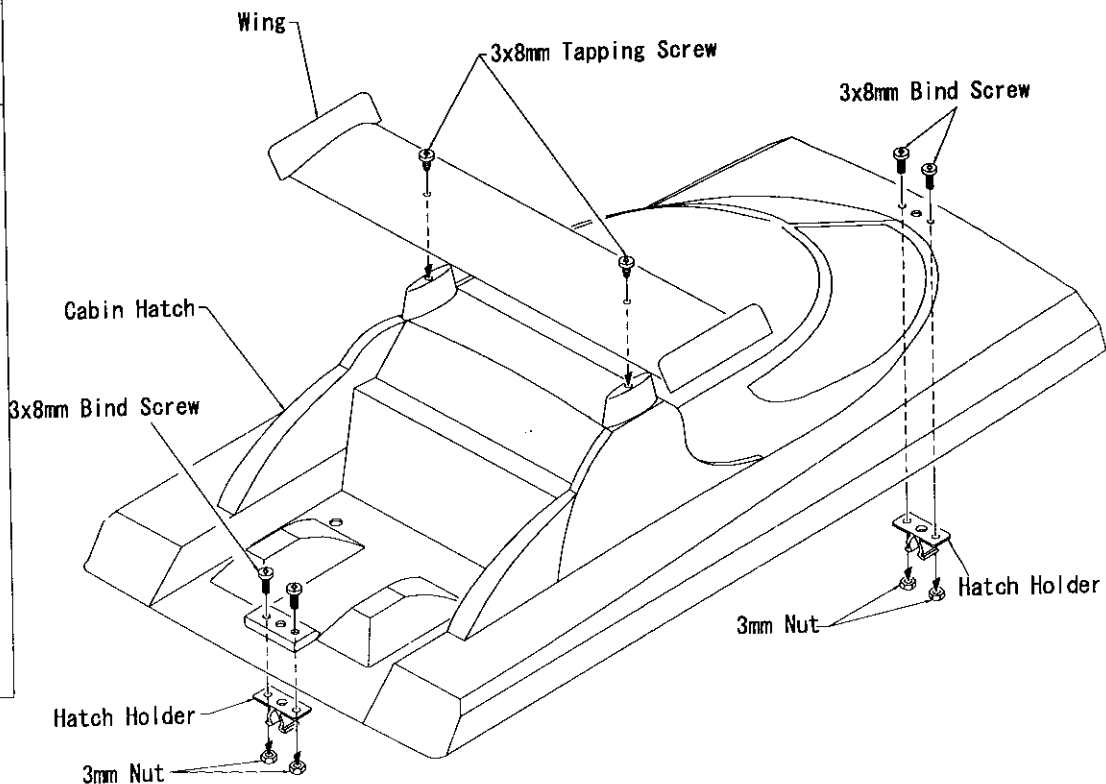
4
3x8mm バインドビス
Bind Screw
Schraude
Vis
Tomillo 3x8mm



4
3mm ナット
Nut
Mutter
Ecrou
Tuerca

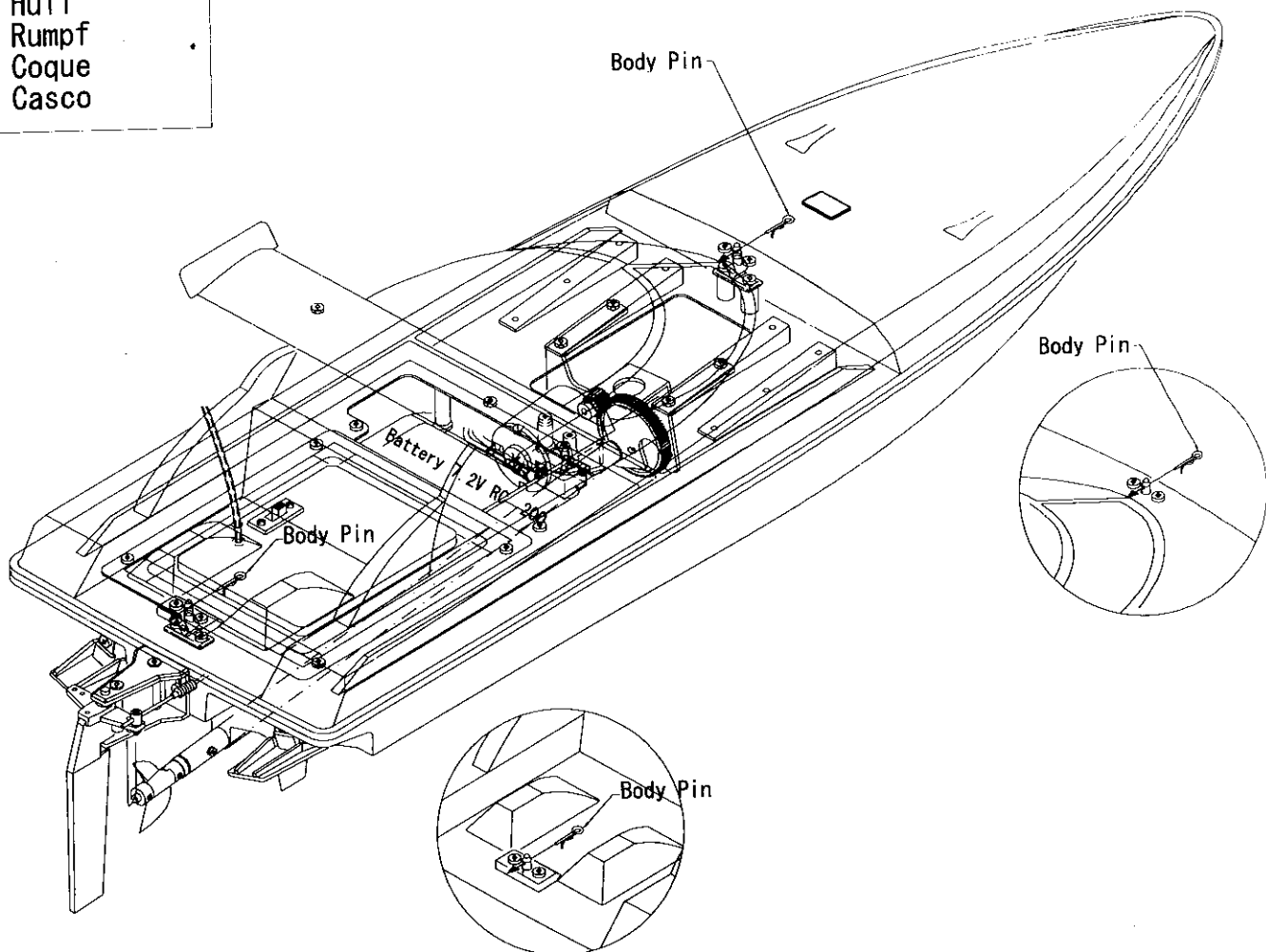


2
3x8mm タッピングビス
Tapping Screw
Treibschraude
Vis autotaraudeuse
Tomillo 3x6mm TP



13

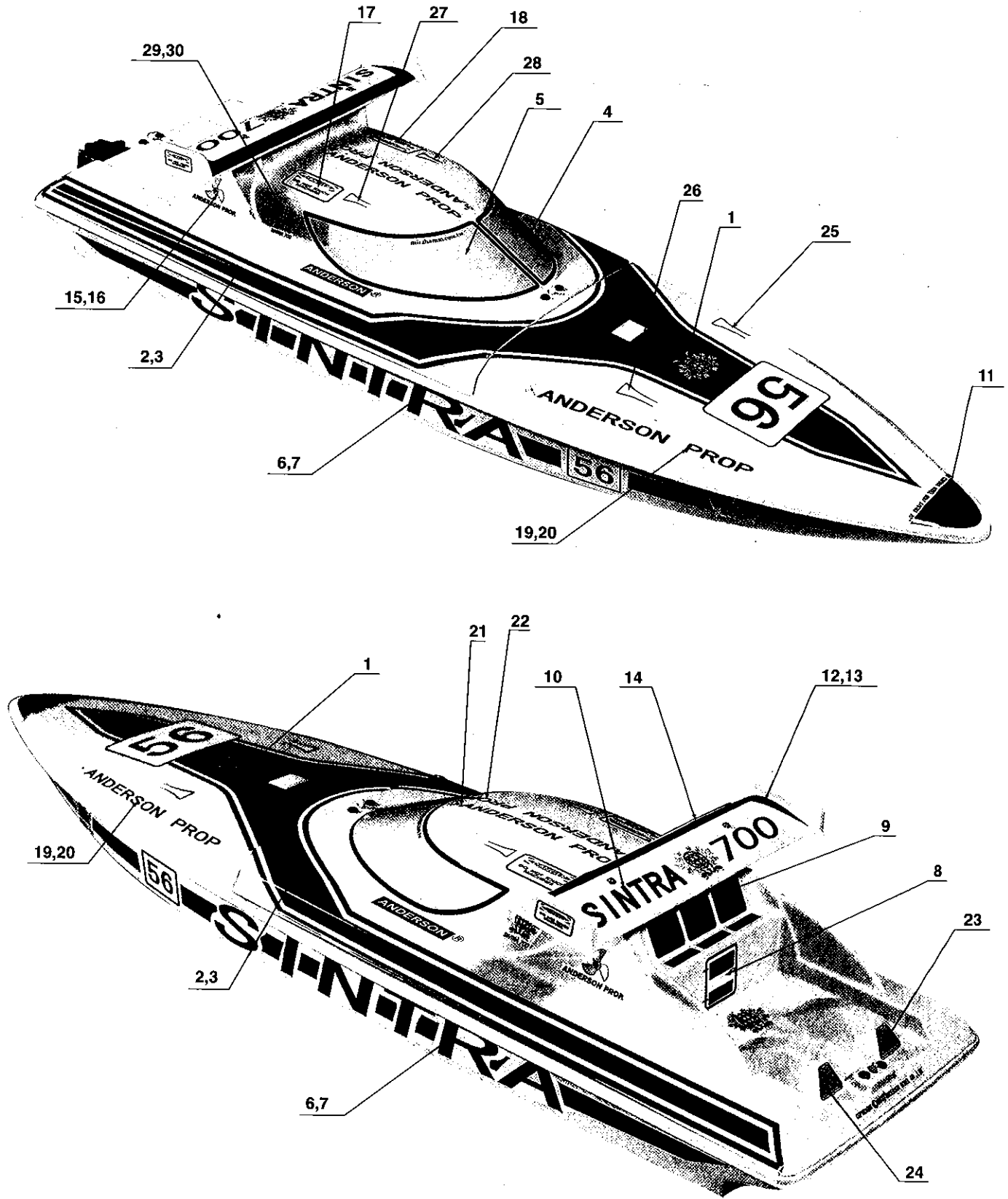
船体
Hull
Rumpf
Coque
Casco



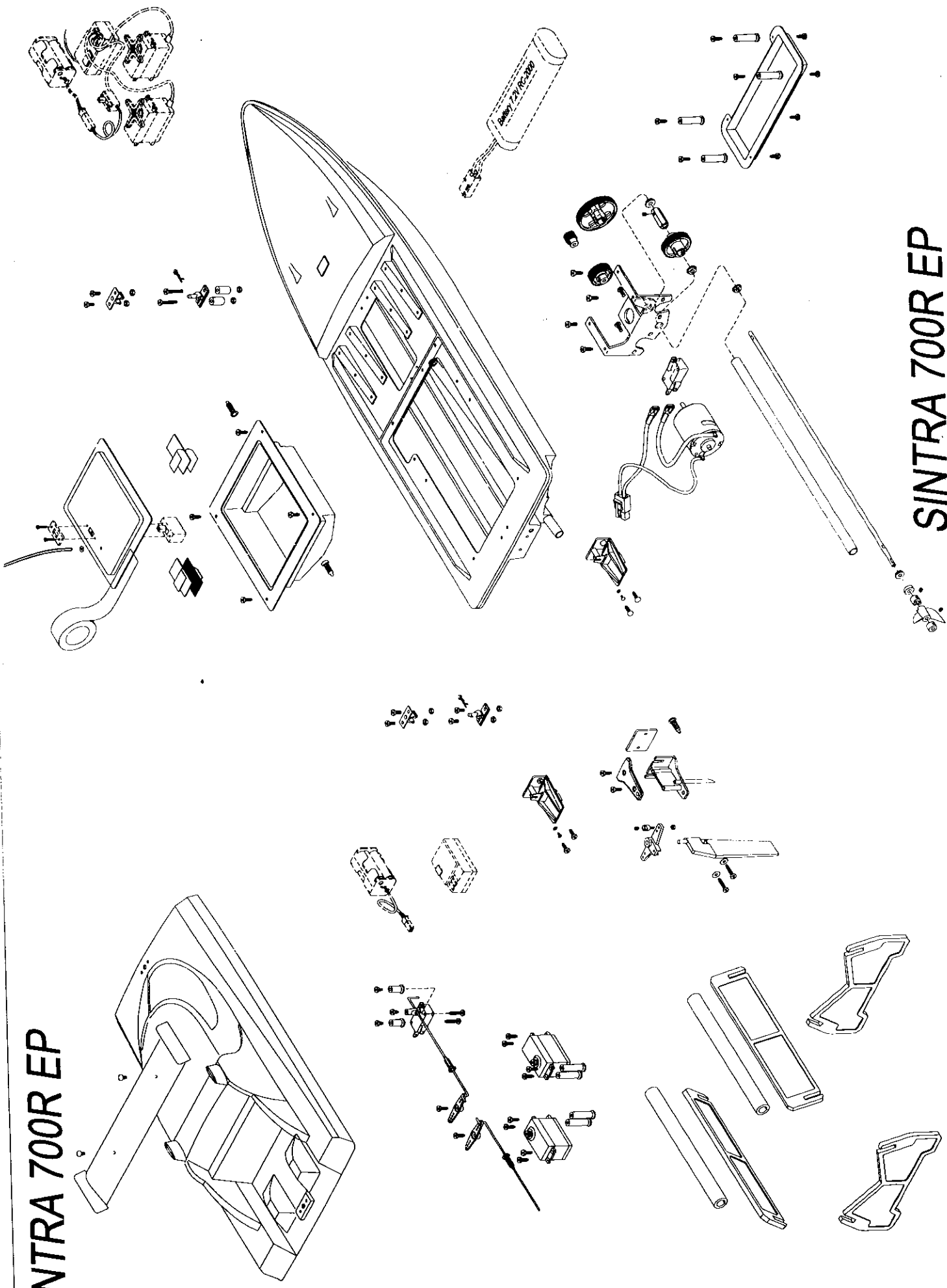
14

デカール
Decals
Aufkleber
Autocollants
Adhesivos

写真の位置へ番号順にデカールをはる。
Apply the decals to the spots indicated in numerical order.
Bringen Sie die Aufkleber in der Reihenfolge ihrer Nummern auf.
Appliquez les autocollants dans l'ordre de numero.
Coloque los adhesivos en el lugar correspondiente siguiendo el orden numerico indicado.



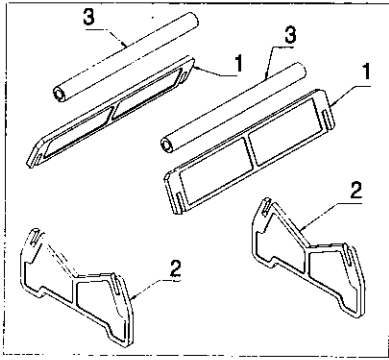
SINTRA 700R EP



SINTRA 700R EP

SINTRA PARTS LIST

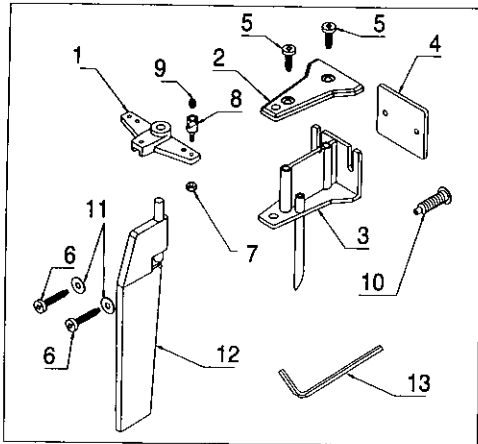
No.1 Bag



No. 1 Bag

	QTY.
1. Boatstand A	2
2. Boatstand B	2
3. Sponge Tube	2

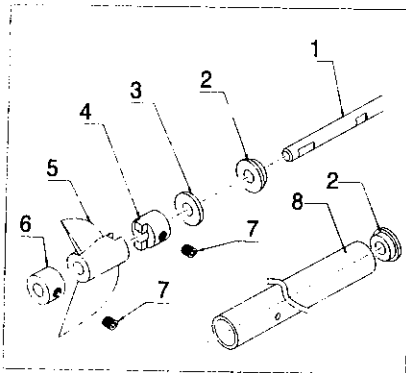
No.2 Bag



No. 2 Bag

1. Rudder Horn	1
2. Rudder Mount A	1
3. Rudder Mount B	1
4. Back Plate A	1
5. 3x10mm Tapping Screw	2
6. 3x16mm Tapping Screw	2
7. 2mm Nut	1
8. Push Rod Connector	1
9. 3mm Set Screw	1
10. Water Proof Boot S	1
11. 3mm Washer	2
12. Rudder	1
13. 1.5mm Hex Wrench	1

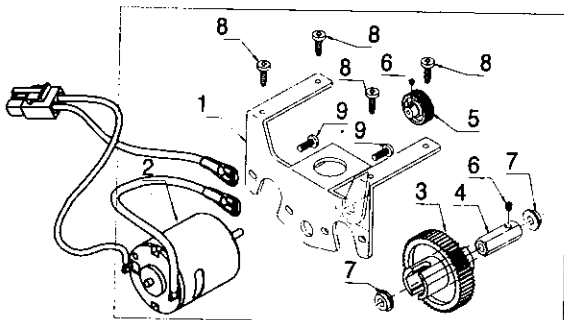
No.3 Bag



No. 3 Bag

1. Drive Axle 4mm	1
2. Bushing 4x8F	2
3. Thrust Washer 4mm	1
4. Drive Dog 4mm	1
5. 4014 Prop.	1
6. Prop Stopper	1
7. 3x3mm Set Screw	2
8. Stern Tube	1

No.4 Bag

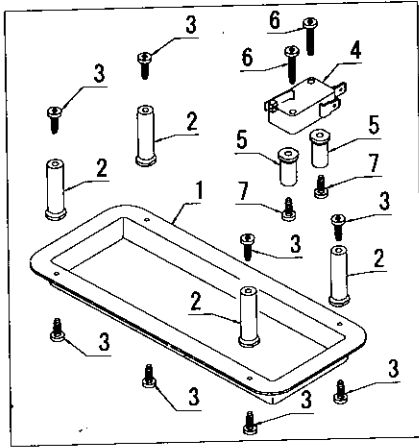


No. 4 Bag

1. Motor Mount	1
2. 540 Motor	1
3. 56t Spur Gear	1
4. Spur Gear Inner	1
5. 44t Pinion Gear	1
6. Set Screw M3x3	2
7. Bushing 4x8F	2
8. 3x10mm Tapping Screw	4
9. 3x8mm Bind Screw	2

SINTRA PARTS LIST

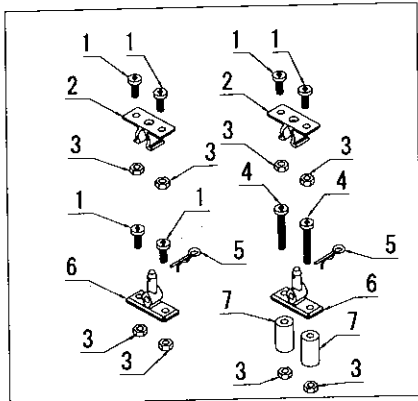
No. 5 Bag



No. 5 Bag

1. NiCd Battery Holder	1
2. Battery Mount	4
3. 3x10mm Tapping Screw	8
4. Speed Control Switch	1
5. Switch Mount	2
6. 3x16mm Tapping Screw	2
7. 3x6mm Tapping Screw	2

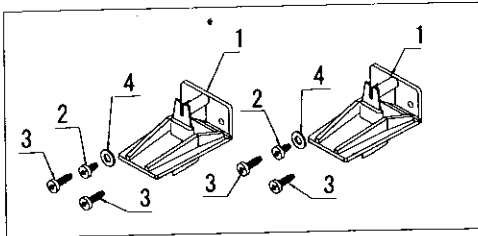
No. 6 Bag



No. 6 Bag

1. 3x8mm Bind Screw	6
2. Hatch Holder Upper	2
3. 3mm Nut	8
4. 3x25mm Bind Screw	2
5. Body Pin	2
6. Hatch Holder Lower	2
7. Hatch Holder Collar	2

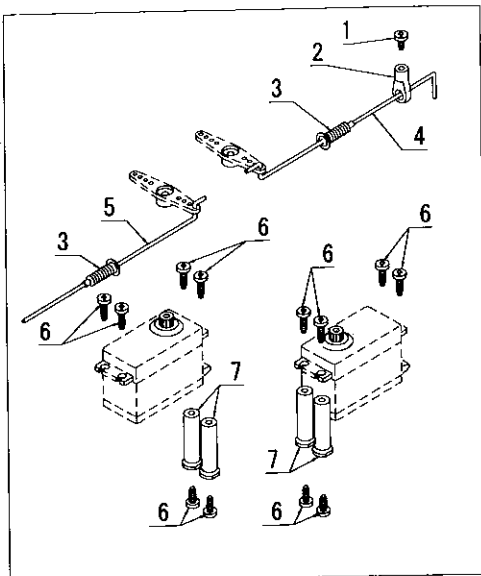
No. 7 Bag



No. 7 Bag

1. Trim Tub	2
2. 2x8mm Tapping Screw	2
3. 3x10mm Tapping Screw	4
4. 2x5mm Washer	2

No. 8 Bag

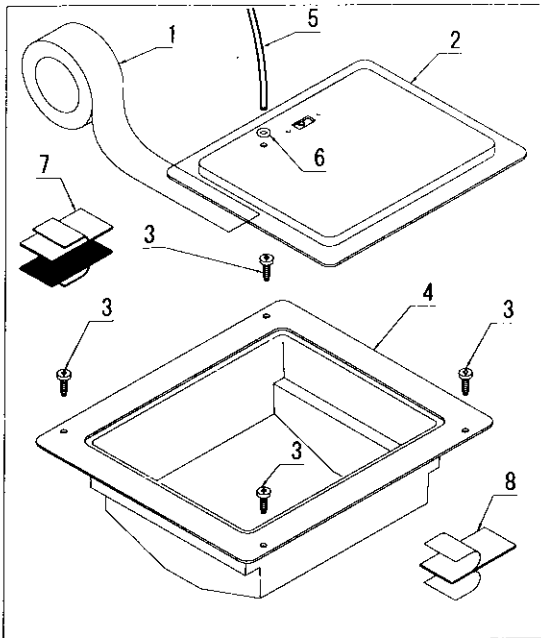


No. 8 Bag

1. 3x6mm Tapping Screw	1
2. Push Rod Gibe	1
3. Water Proof Boot S	2
4. Speed Control Rod	1
5. Rudder Rod	1
6. 3x10mm Tapping Screw	12
7. Servo mount	4

SINTRA PARTS LIST

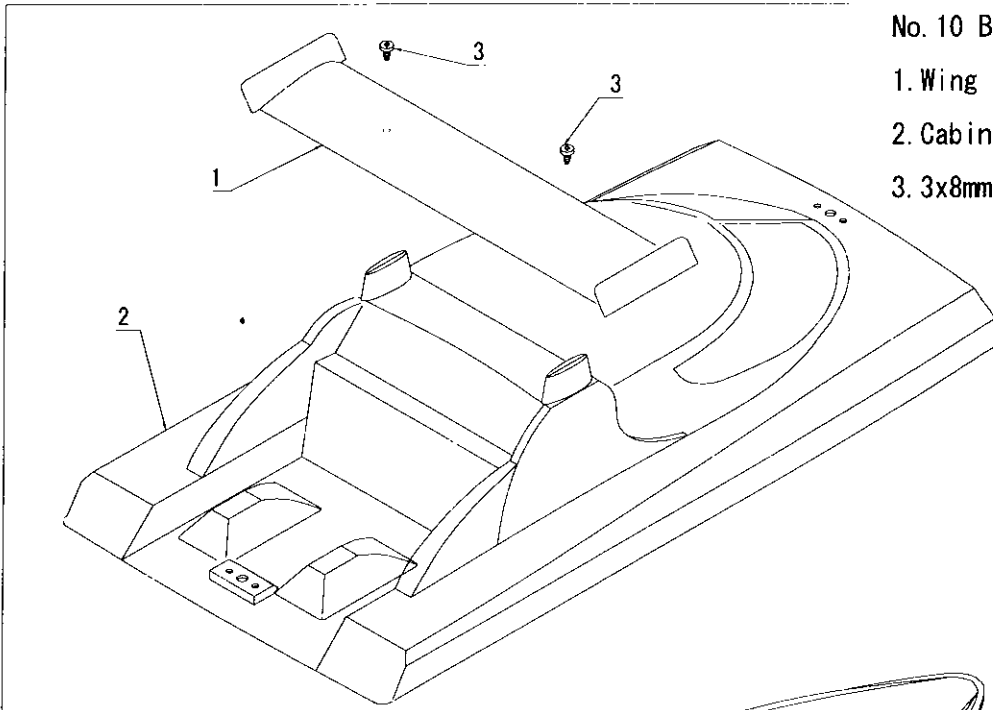
No. 9 Bag



No. 9 Bag

1. Clear Tape	1
2. Radio Box Cover	1
3. 3x10mm Tapping Screw	4
4. Radio Box	1
5. Antenna Tube	1
6. 3mm O-Ring	1
7. Magic Tape	1
8. Double-sided Tape	1

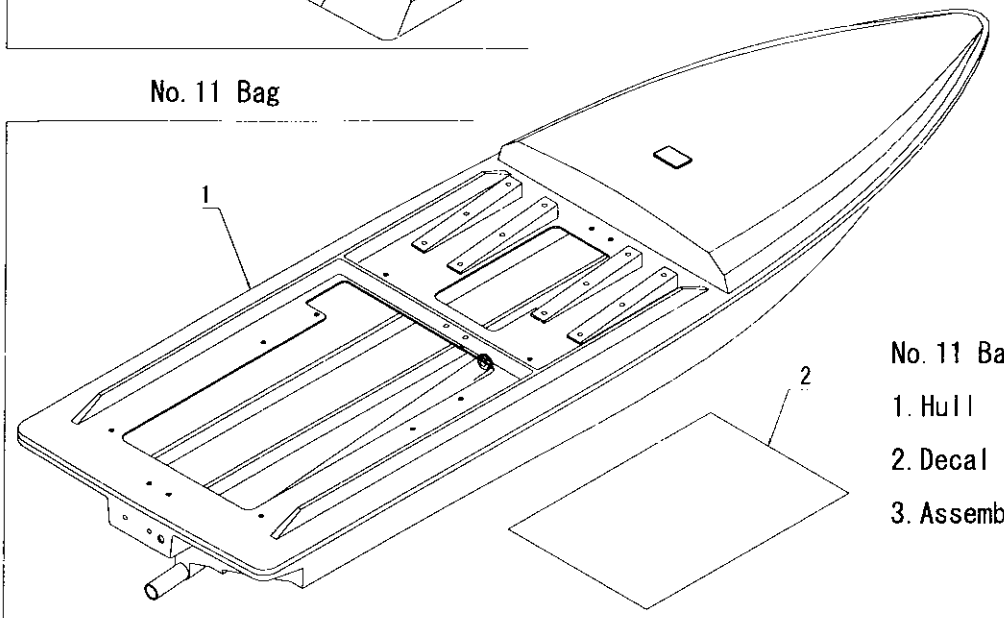
No. 10 Bag



No. 10 Bag

1. Wing	1
2. Cabin Hatch	1
3. 3x8mm Tapping Screw	2

No. 11 Bag

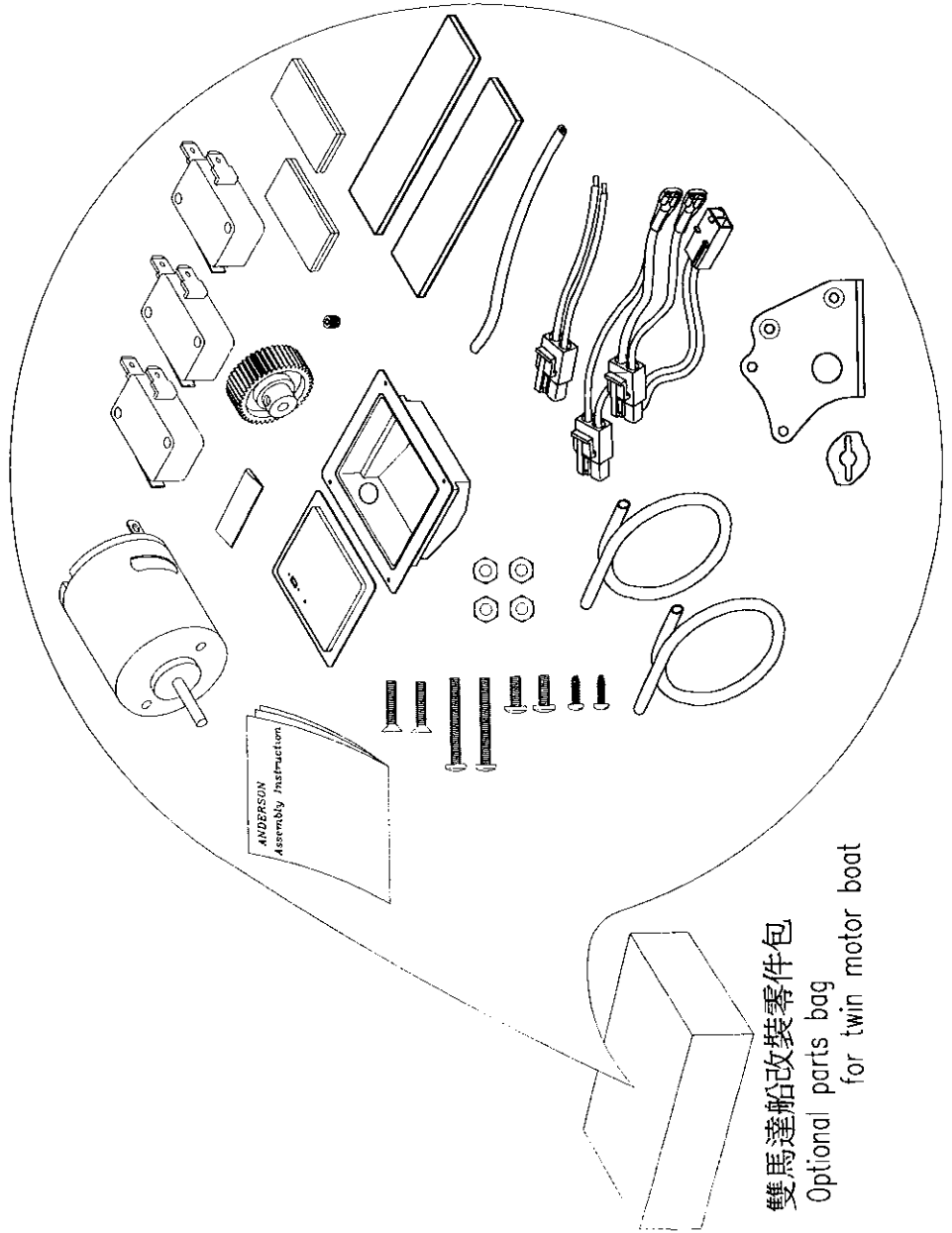


No. 11 Bag

	QTY.
1. Hull	1
2. Decal	1
3. Assembly Instruction	1

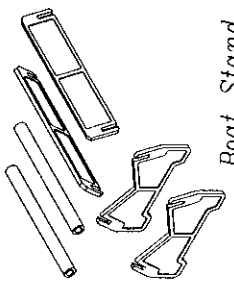
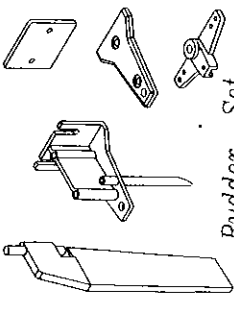
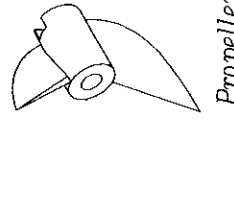
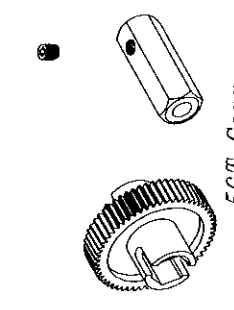
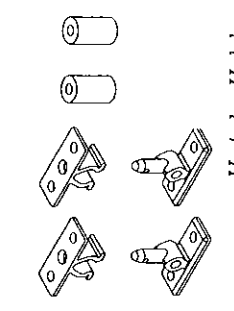
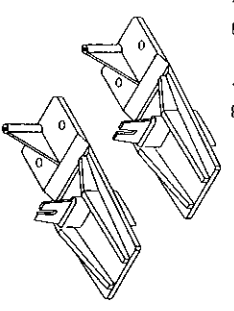
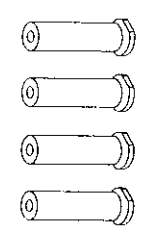
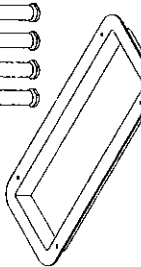
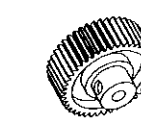

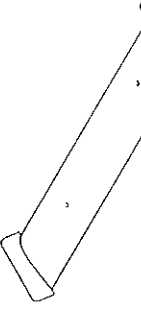
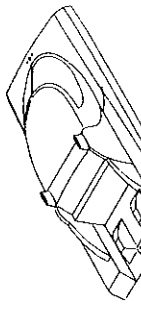
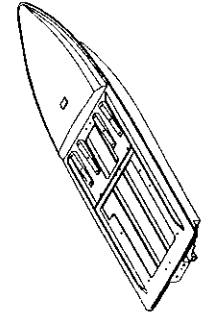
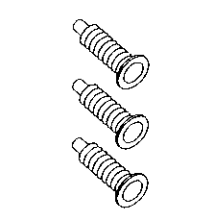
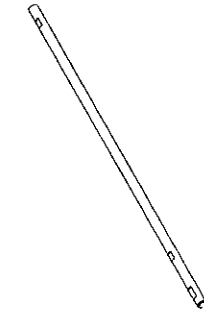
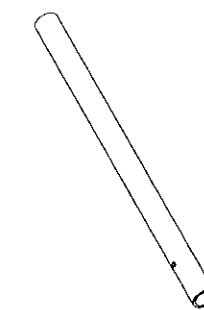
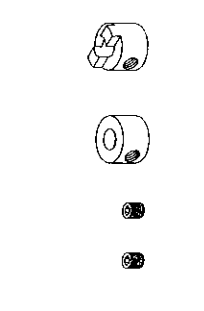
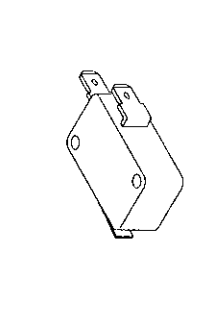
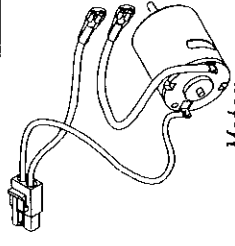
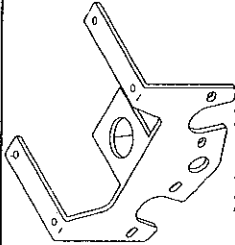
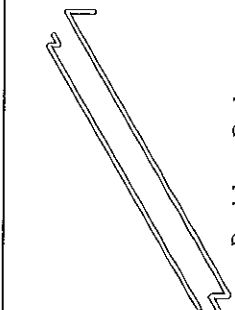
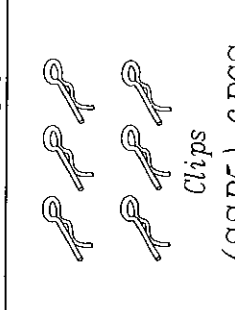
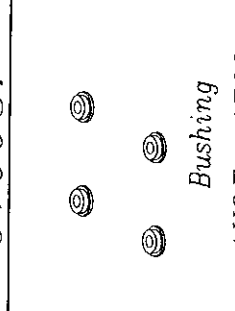
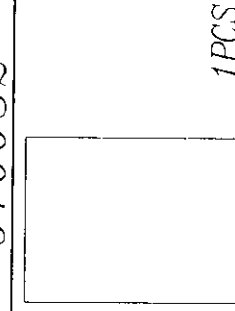
Made in Taiwan


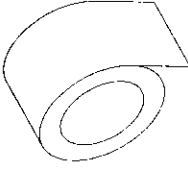
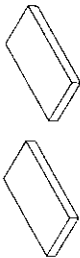
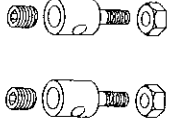








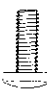
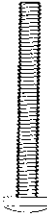





970045 雙馬達船改裝零件包 Optional parts bag for twin motor boat



雙馬達/兩段變速
Twin motor/2 speed

雙馬達船改裝零件包
Optional parts bag
for twin motor boat

970009	970010	970011	970012	970013	970014
					
Boat Stand 船架	Rudder Set 方向舵	Propeller 螺旋槳	56T Gear 56T齒輪	Hatch Holder 船蓋扣	Trim Tub 壓水板
970015	970016	970017	970018	970019	970020
					
Servo Mount 伺服機固定座	Battery Holder 電池盒	44T Gear 44T齒輪	Receiver Box 接收機盒	Wing 定風翼	Cabin Hatch 船蓋
970021	970022	970023	970024	970025	970026
					
Hull 船體	Water proof boots 防水套	Drive Shaft 傳動軸	Stern Tube 鋁管	Drive Collars 傳動輪檔組	Speed Control Switch 控速開關
970027	970028	970029	970030	970031	970032
					
Motor 馬達	Motor Mount 馬達座	Rudder Rod 拉桿組	Clips (SSP5) 6PCS 插銷	Bushing 4X8F 4PCS 銅襯	Decal 貼紙

970033	970034	970035	180280	250620	254027
					
Switch Mount 開關固定座	Clear Tape 透明膠帶	Magic Tape 魔術膠帶	Push Rod Connector EA-180280 2PCS 轉向調整座	Antenna Tube 5PCS 天線管	O-Ring 6PCS O型環
254029	254031	254068	254069	254070	254071
					
Set Screw 3X3 6PCS 無頭內六角	Hex Wrench 1.5MM 6PCS 六角板手	Taping Screw 3X6 6PCS 結合十字自攻	Taping Screw 3X8 6PCS 結合十字自攻	Taping Screw 3X10 6PCS 結合十字自攻	Taping Screw 3X15 6PCS 結合十字自攻
254072	254073	254074	254075	254076	254077
					
Bind Screw 3X8 6PCS 結合十字自旋	Bind Screw 3X25 6PCS 結合十字自旋	Nut 3MM 6PCS 螺帽	Washer 2X5 6PCS 華司	Washer 3MM 6PCS 華司	Washer 4MM 6PCS 華司
254078					
					
Taping Screw 2X8 6PCS 圓頭十字自攻					